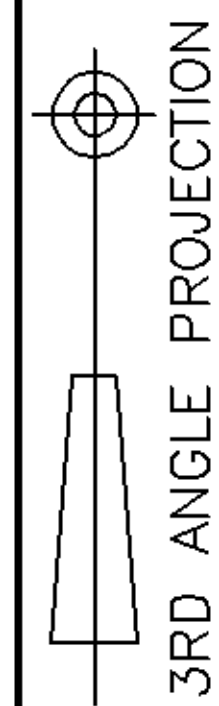


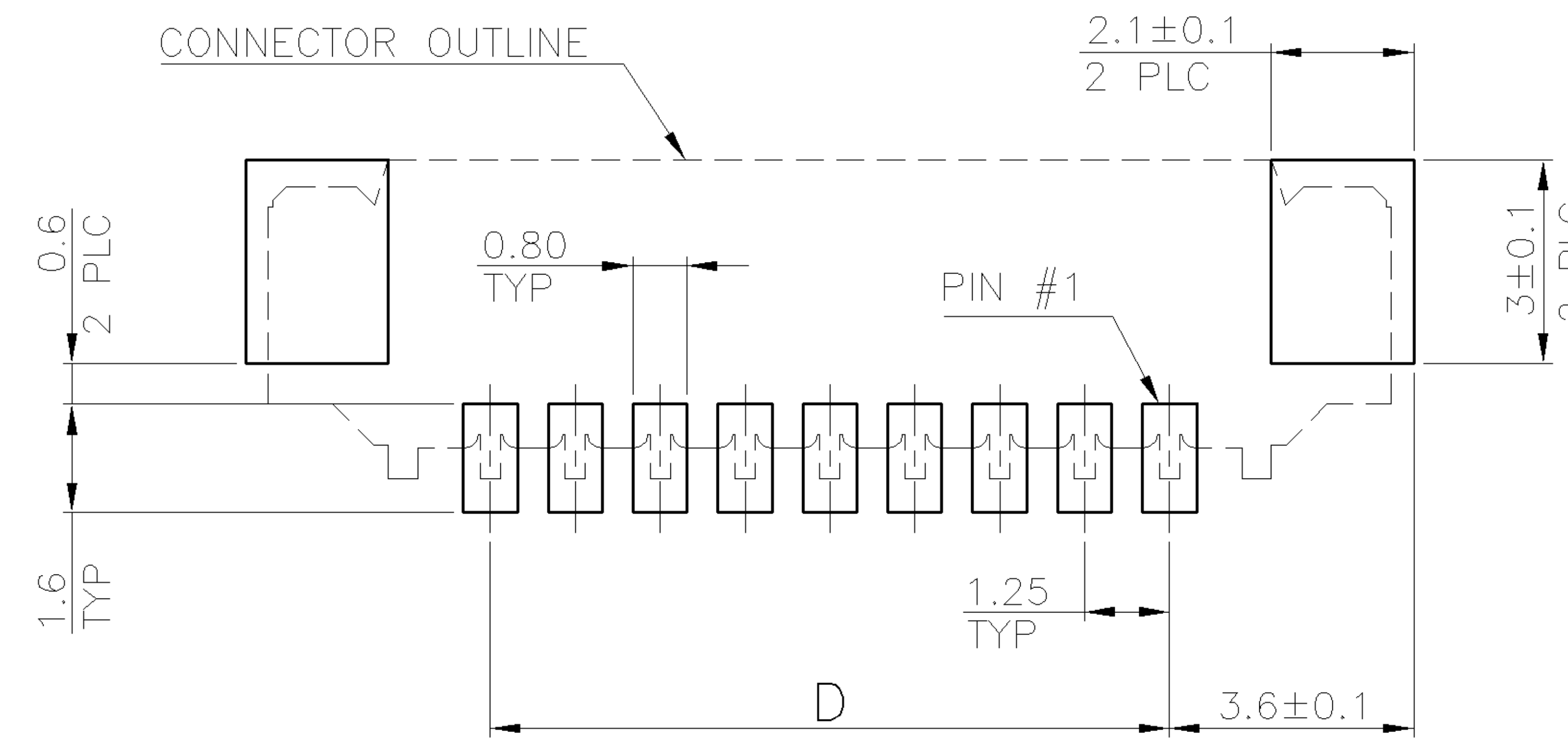
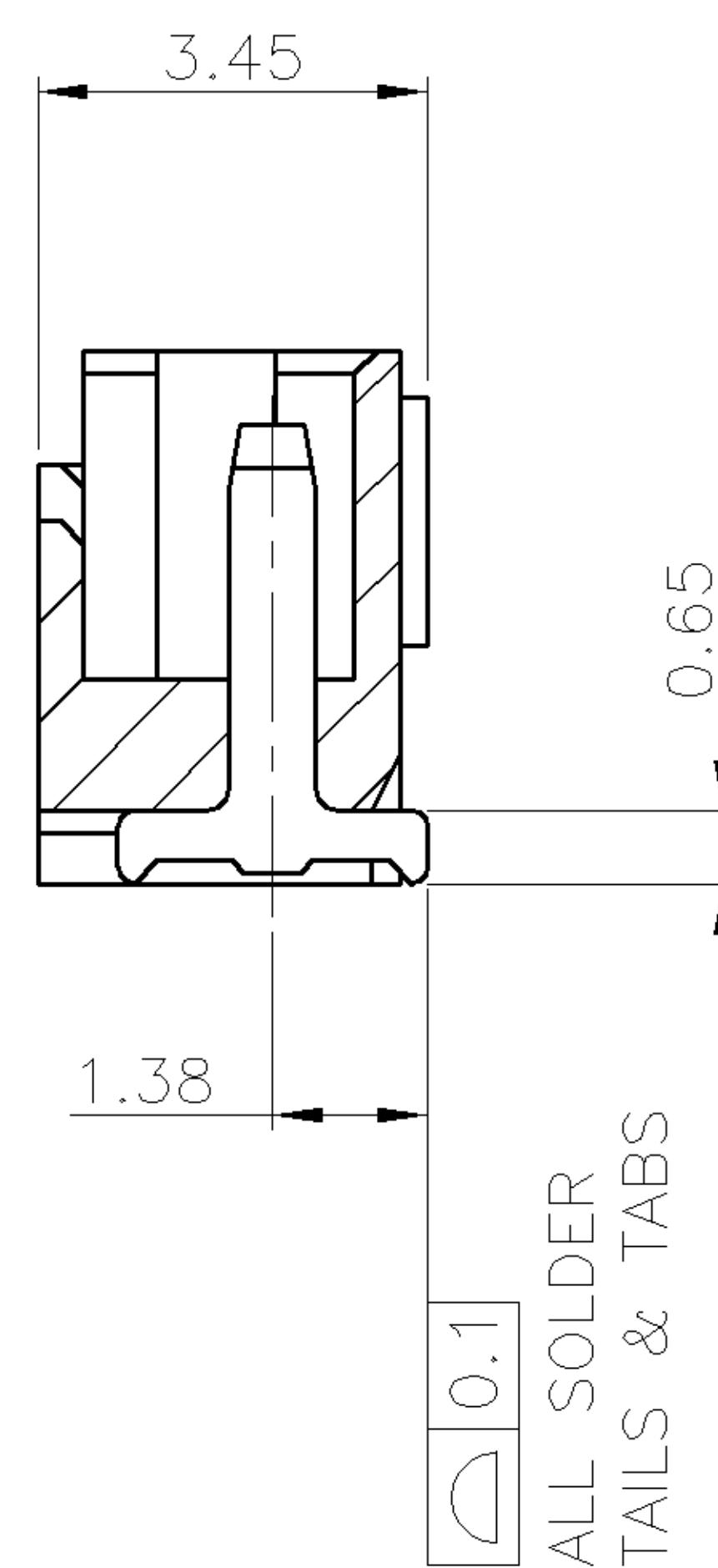
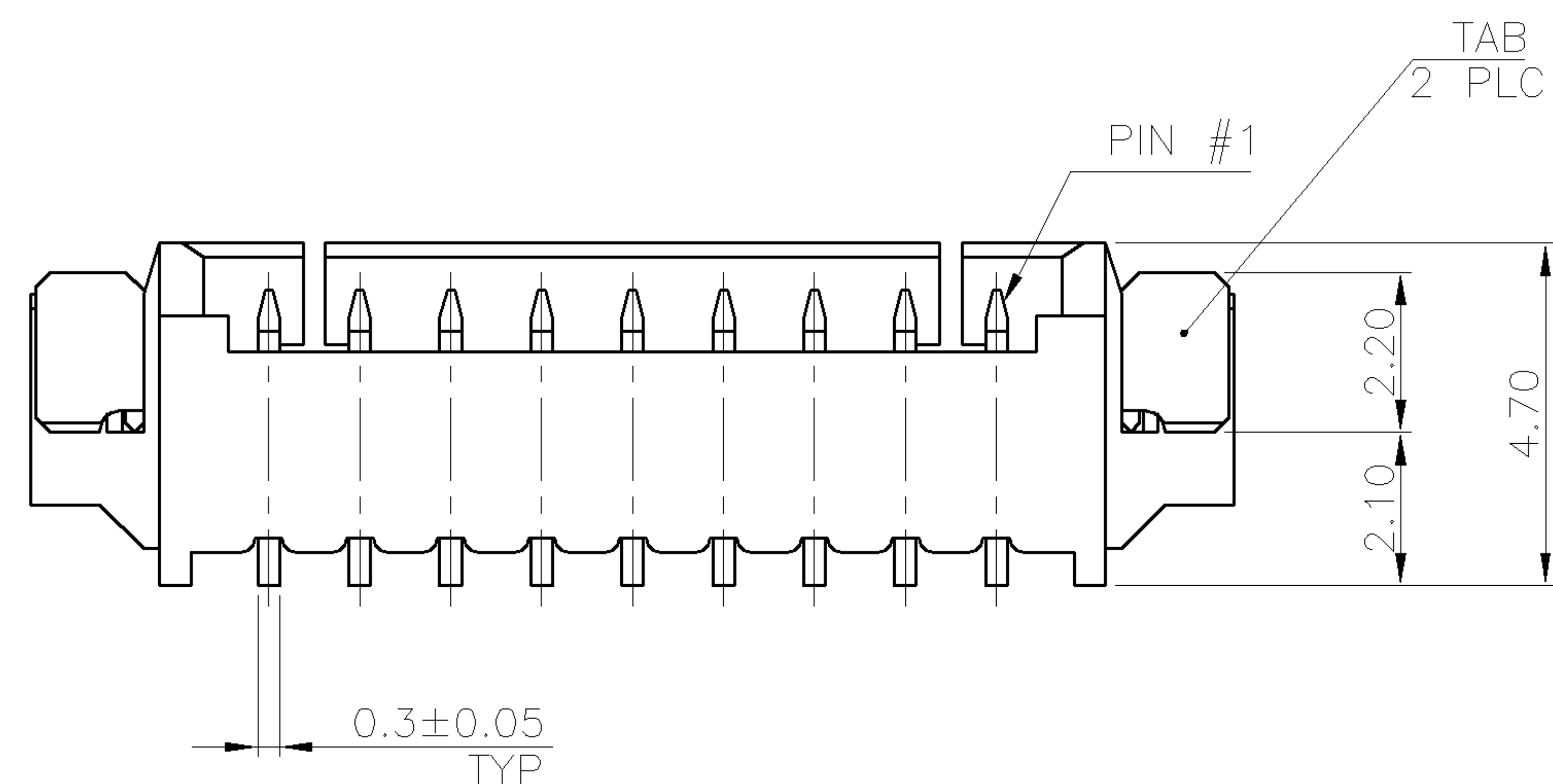
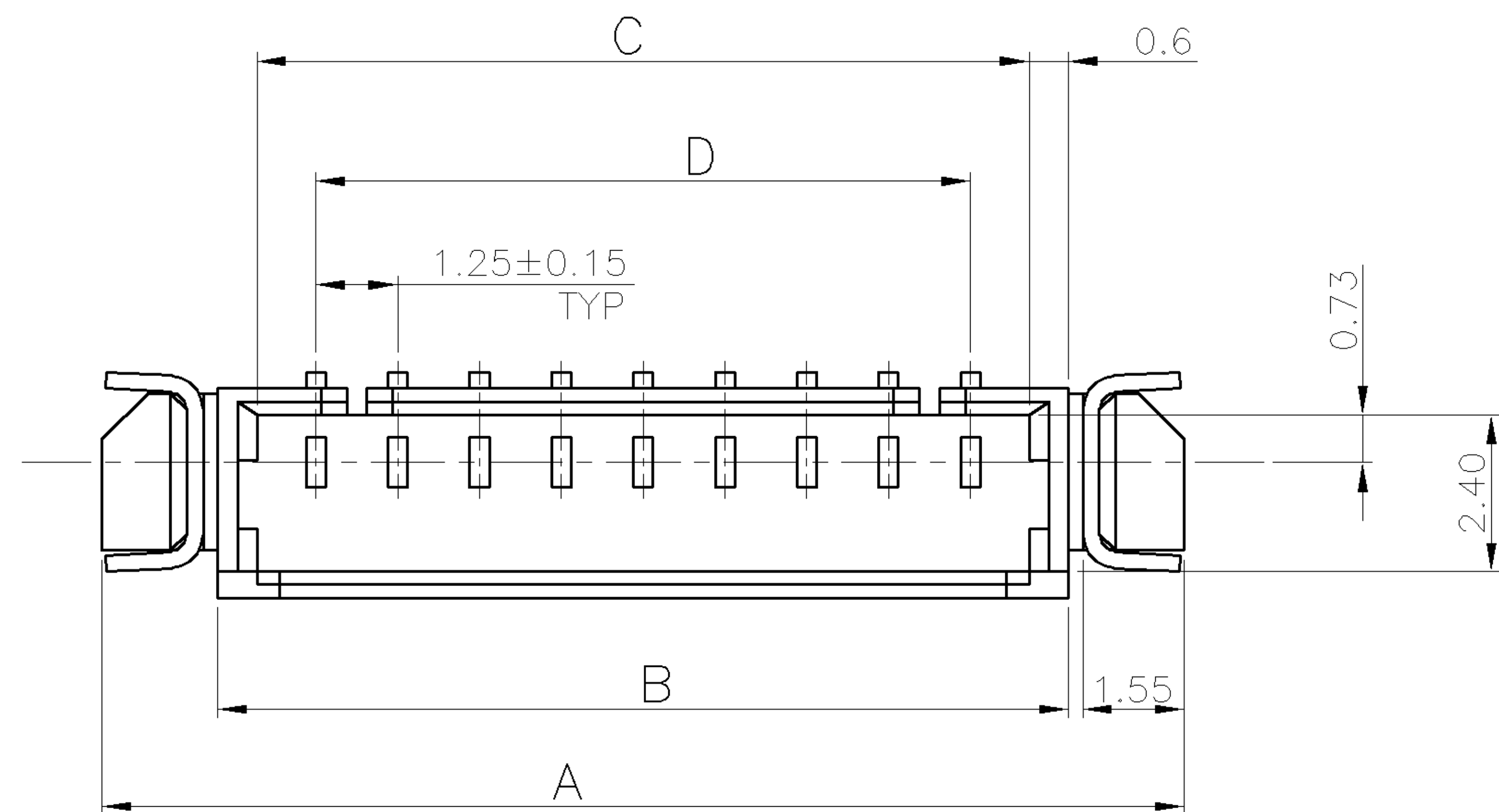
NUMBER
C-1734261



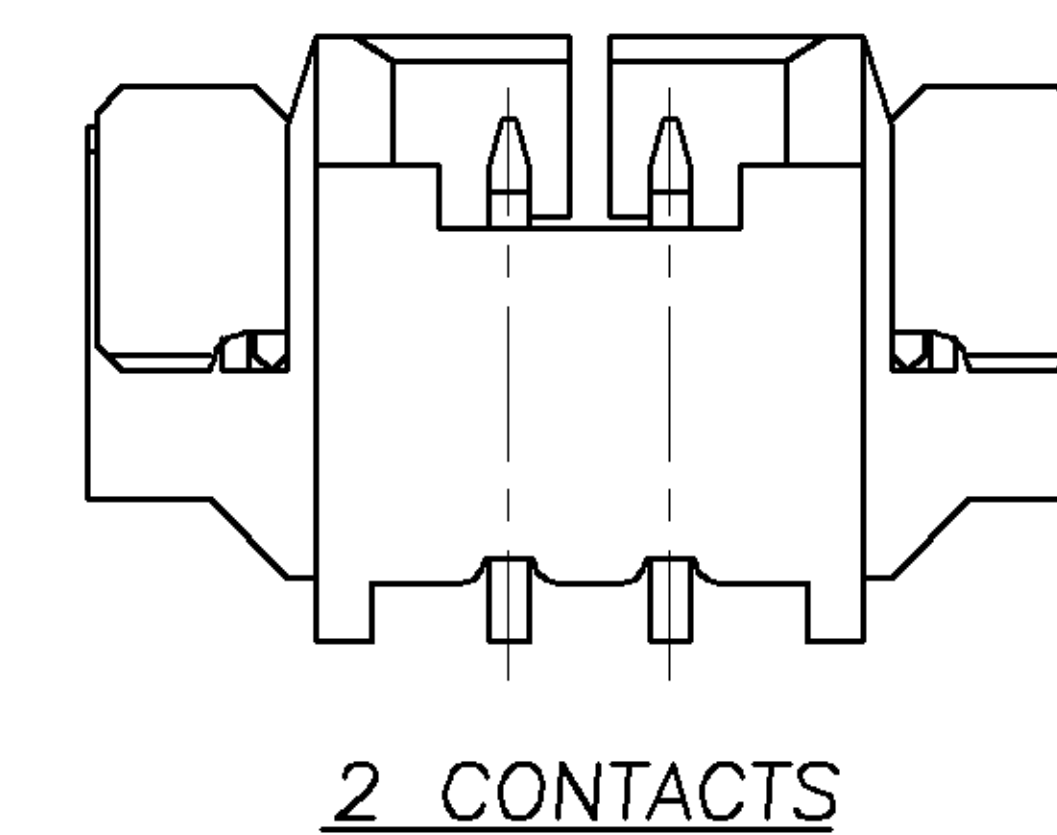
METRIC

THIS INFORMATION IS CONFIDENTIAL AND IS DISCLOSED TO YOU ON CONDITION THAT NO FURTHER DISCLOSURE IS MADE BY YOU TO OTHER THAN AMP PERSONNEL WITHOUT WRITTEN AUTHORIZATION FROM AMP (TAIWAN) LTD. DIMENSIONS IN MILLIMETERS. DO NOT SCALE PRINT.

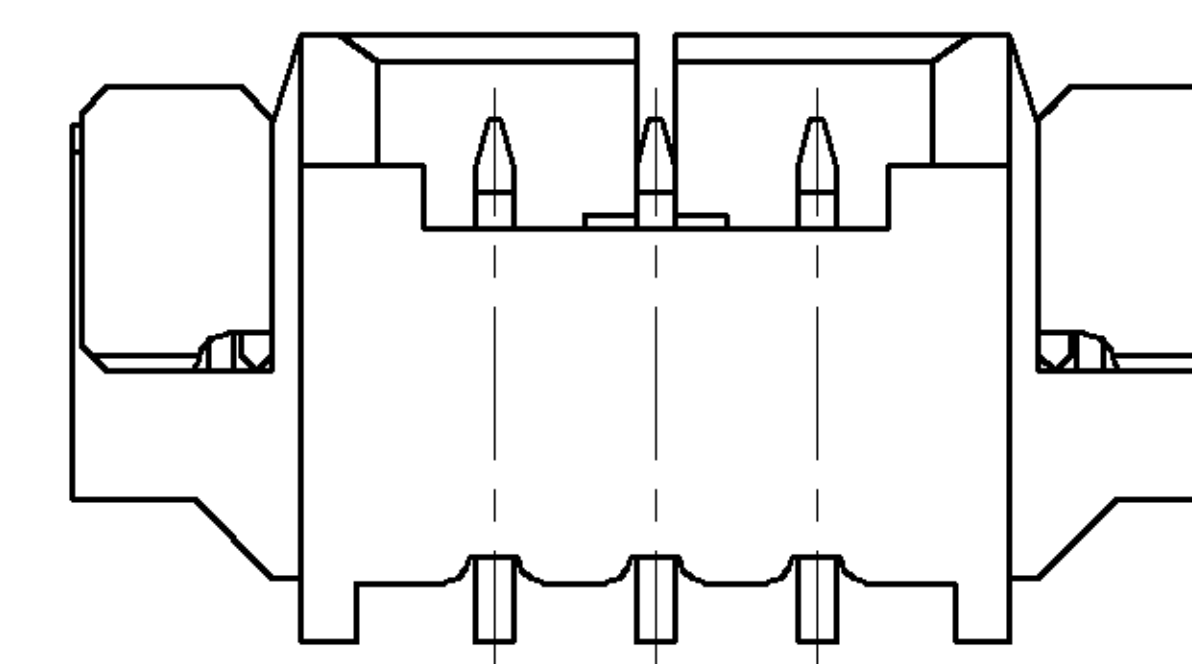
PRINT
DW



RECOMMENDED PC BOARD LAYOUT
(TOLERANCE: ±0.05)



2 CONTACTS



3 CONTACTS

CONTACT PLATING	DIMENSION					NO. OF CONTACTS	PART NUMBER
	D	C	B	A			
0.762µm [30µ"] MIN. GOLD	17.50	19.30	20.50	24.04	15	4-1734261-5	
	16.25	18.05	19.25	22.79	14	4-1734261-4	
	15.00	16.80	18.00	21.54	13	4-1734261-3	
	13.75	15.55	16.75	20.29	12	4-1734261-2	
	12.50	14.30	15.50	19.04	11	4-1734261-1	
	11.25	13.05	14.25	17.79	10	4-1734261-0	
	10.00	11.80	13.00	16.54	9	3-1734261-9	
	8.75	10.55	11.75	15.29	8	3-1734261-8	
	7.50	9.30	10.50	14.04	7	3-1734261-7	
	6.25	8.05	9.25	12.79	6	3-1734261-6	
	5.00	6.80	8.00	11.54	5	3-1734261-5	
	3.75	5.55	6.75	10.29	4	3-1734261-4	
	2.50	4.30	5.50	9.04	3	3-1734261-3	
	1.25	3.05	4.25	7.79	2	3-1734261-2	
2.54µm [100µ"] MIN. MATTE-TIN	17.50	19.30	20.50	24.04	15	1-1734261-5	
	16.25	18.05	19.25	22.79	14	1-1734261-4	
	15.00	16.80	18.00	21.54	13	1-1734261-3	
	13.75	15.55	16.75	20.29	12	1-1734261-2	
	12.50	14.30	15.50	19.04	11	1-1734261-1	
	11.25	13.05	14.25	17.79	10	1-1734261-0	
	10.00	11.80	13.00	16.54	9	1734261-9	
	8.75	10.55	11.75	15.29	8	1734261-8	
	7.50	9.30	10.50	14.04	7	1734261-7	
	6.25	8.05	9.25	12.79	6	1734261-6	
	5.00	6.80	8.00	11.54	5	1734261-5	
	3.75	5.55	6.75	10.29	4	1734261-4	
	2.50	4.30	5.50	9.04	3	1734261-3	
	1.25	3.05	4.25	7.79	2	1734261-2	

NOTE:

- MATERIAL:
HOUSING: HIGH TEMP. THERMOPLASTIC, UL 94V-0, COLOR: NATURAL.
CONTACTS: PHOSPHOR BRONZE.
TAB: PHOSPHOR BRONZE.
- FINISH:
CONTACTS: (SEE TABLE) OVER 50µ" MIN. NICKEL PLATED.
TAB: 100µ" MIN. MATTE-TIN OVER 50µ" MIN. NICKEL PLATED.
- NO TYCO LOGO AND DATE CODE ON THE PRODUCT.
- LOCKING WINDOW:
ONE PLACE FOR 2 AND 3 CONTACTS,
TWO PLACES FOR MORE THAN 3 CONTACTS.
- RECOMMENDED PART NUMBER OF CABLE ASSEMBLY:
HOUSING: X-440146-X
CONTACT: 440147-X

REV	DESCRIPTION	ECN	AW	SH	DATE
A	ADD PART NUMBERS	ECR-05-016978	AW	SH	02DEC 2005
O	FIRST RELEASED	FZ00-0153-04	AW	SH	07JUL 2004
LTR	REVISION RECORD	ECN	DWN	CHK	DATE

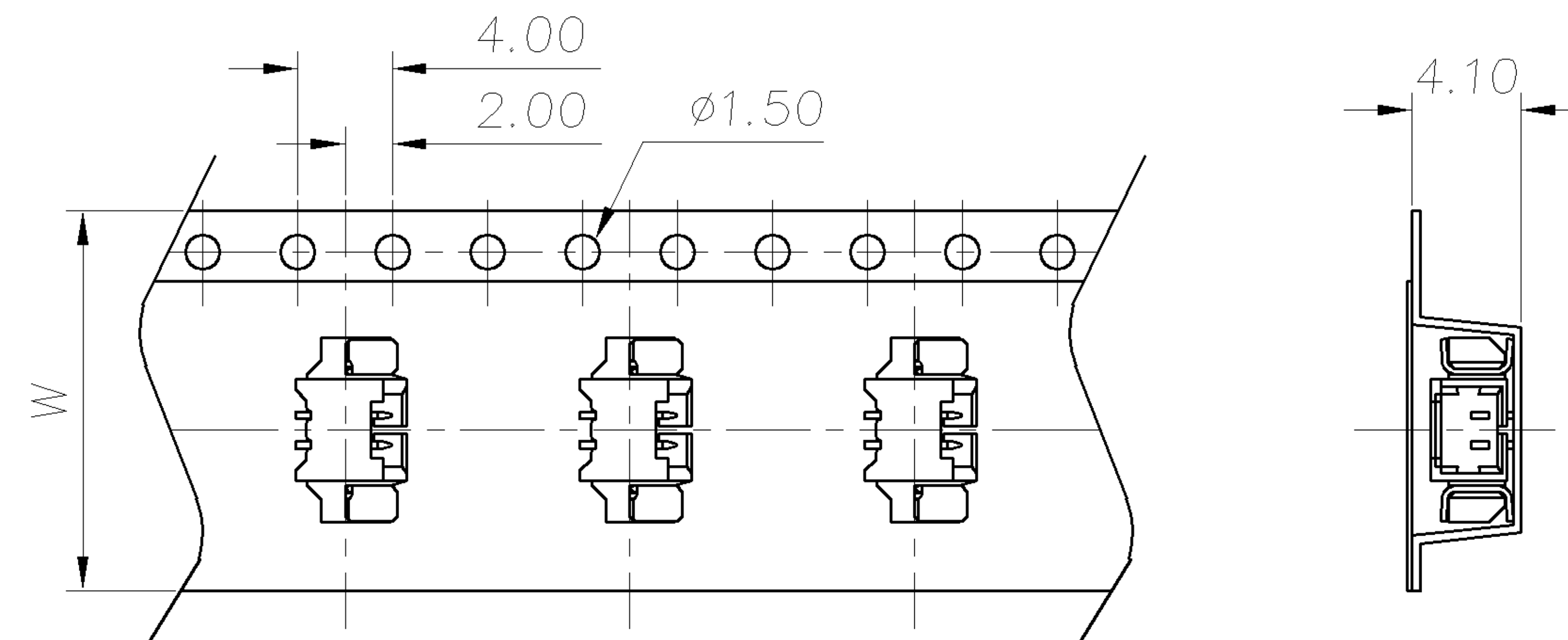
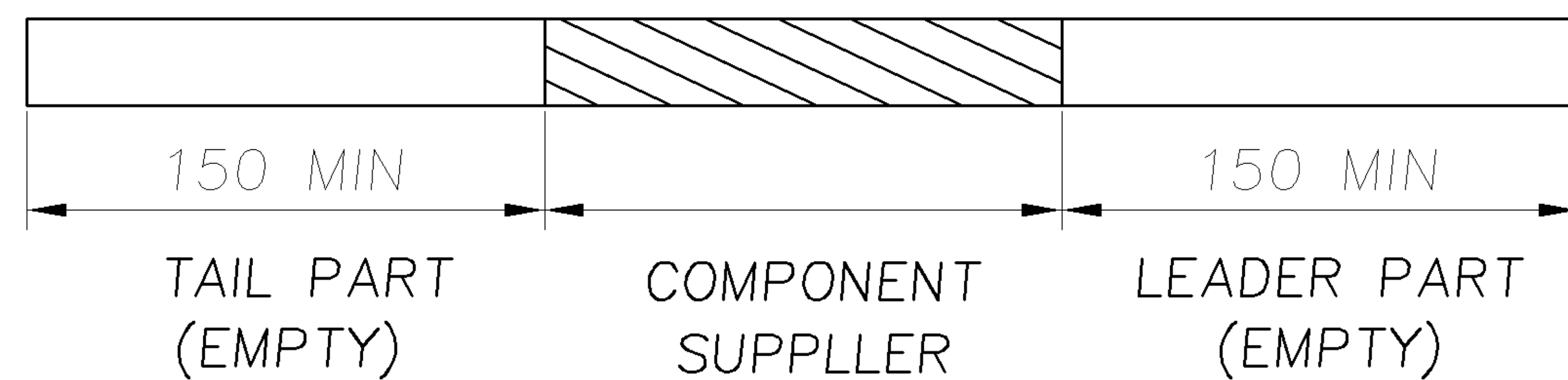
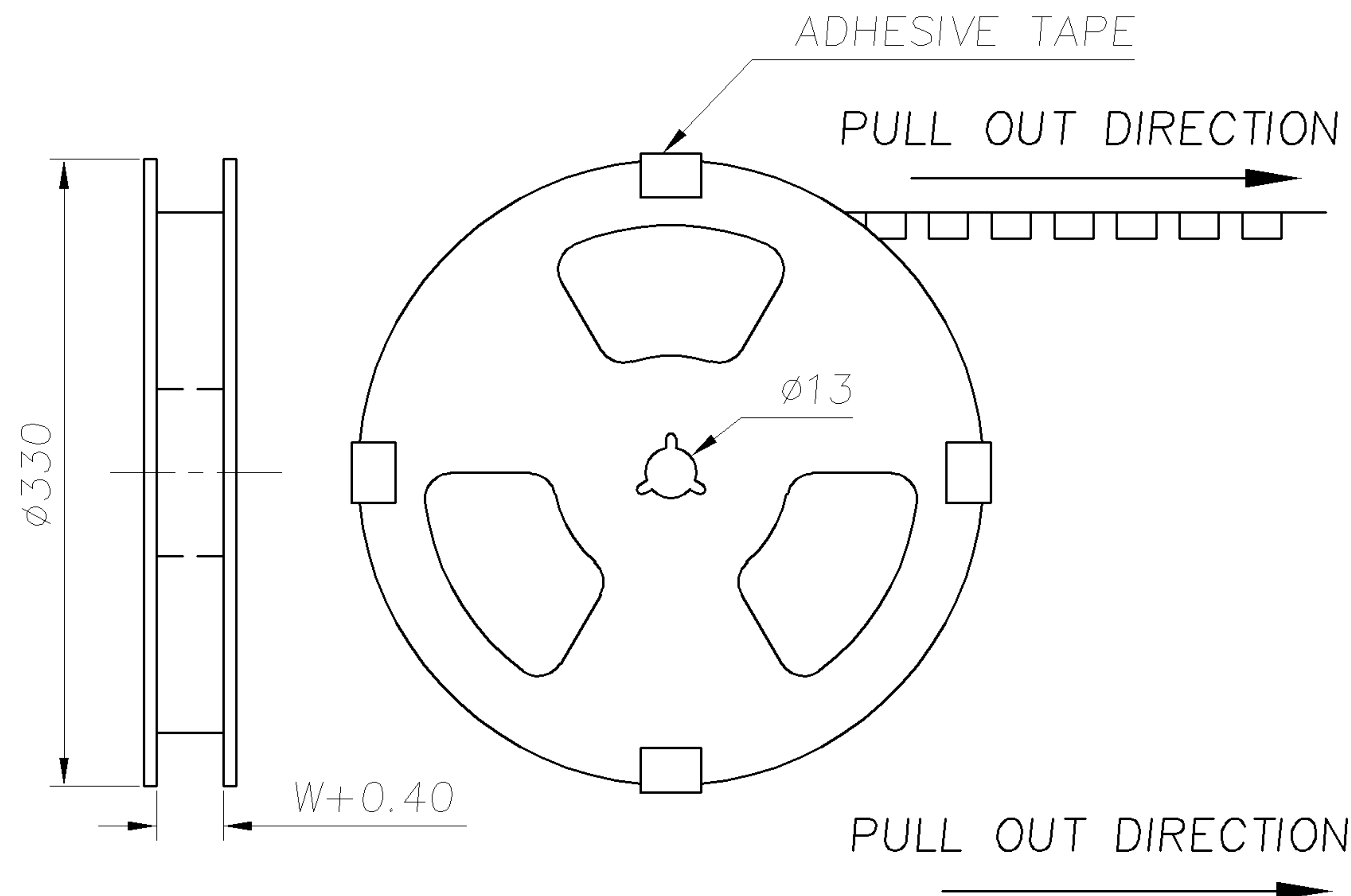
TOLERANCES UNLESS OTHERWISE SPECIFIED: 0 PLC ±- 1 PLC ±0.38 2 PLC ±0.25 3 PLC ±- ANGLES ±3'		DWN A. WU 02-DEC-2005	tyco TYCO HOLDINGS (BERMUDA) Electronics VII LTD. TAIWAN BRANCH NAME WIRE TO BOARD MALE HEADER, 1.25 MM PITCH, SMT, RIGHT ANGLE TYPE			
MATERIAL SEE NOTE		CHK S. HOU 02-DEC-2005				
FINISH SEE NOTE		APVD W.J. KE 02-DEC-2005	PRODUCT SPEC 108-57273			
		QUALIFICATION TEST REPORT 501-57299	LOC DW	SIZE A ₃	DRAWING NO C-1734261	REV A
		WEIGHT -	SCALE --		SHEET 1 OF 2	

NUMBER
C-1734261

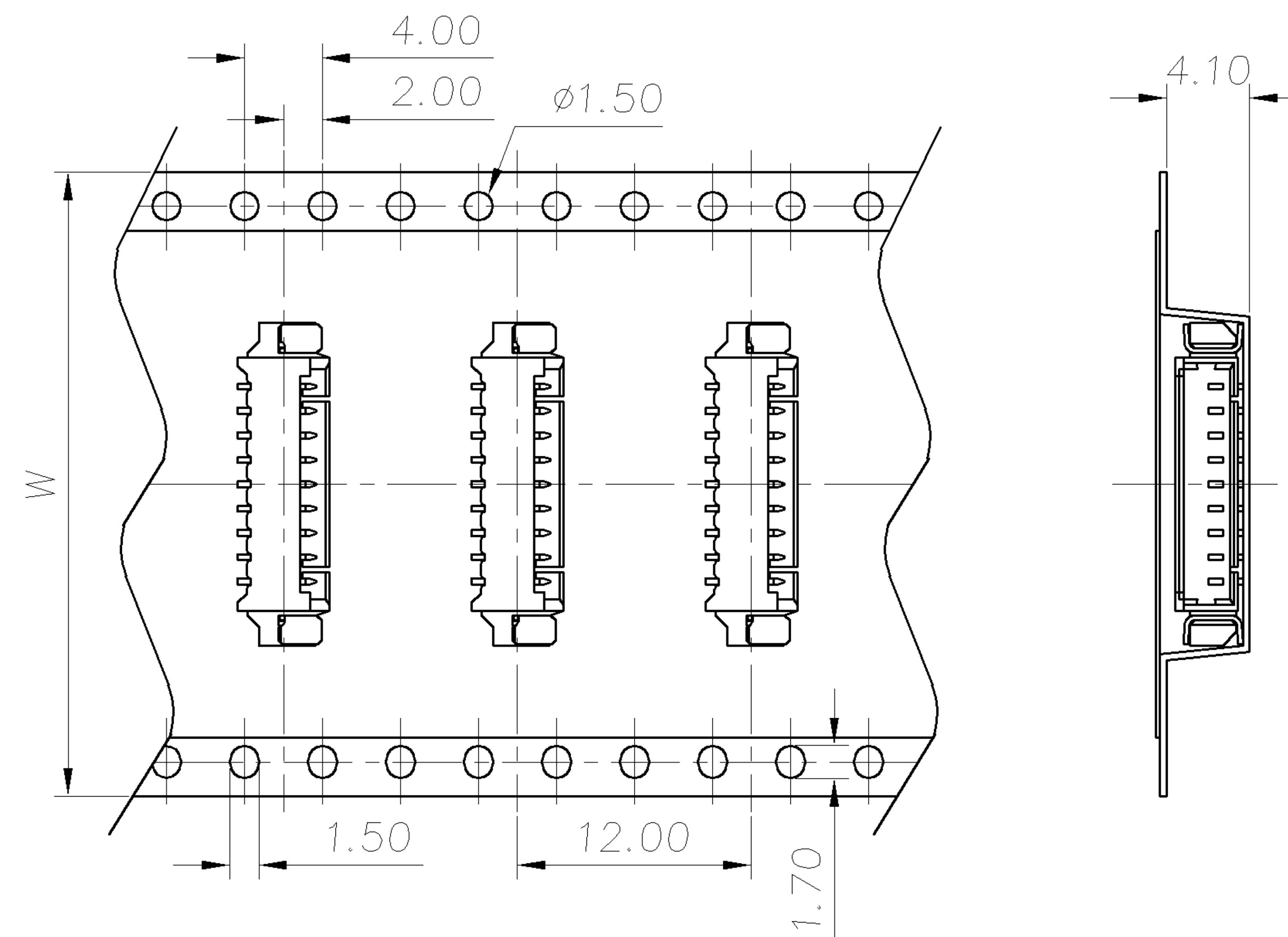
3RD ANGLE PROJECTION

METRIC

THIS INFORMATION IS CONFIDENTIAL AND IS DISCLOSED TO YOU ON CONDITION THAT NO FURTHER DISCLOSURE IS MADE BY YOU TO OTHER THAN AMP PERSONNEL WITHOUT WRITTEN AUTHORIZATION FROM AMP (TAIWAN) LTD. DIMENSIONS IN MILLIMETERS. DO NOT SCALE PRINT.



CARRIER FOR 2 TO 7 PIN



CARRIER FOR 8 TO 15PIN

NOTE:
1. CARTON DIMENSIONS: 340 X 340 X 250

PRINT DW	QUANTITY	PCS/ REEL	REELS/ CARTON	DIM. W	NO. OF CONTACTS
	4000	1000	4	44.0	15
					14
					13
	6000	1000	6	32.0	12
					11
					10
					9
					8
	7000	1000	7	24.0	7
					6
					5
					4
	10000	1000	10	16.0	3
					2

LTR	SEE SHEET 1.	ECN	DWN	CHK	DATE
	REVISION RECORD				

TOLERANCES UNLESS OTHERWISE SPECIFIED: 0 PLC ±- 1 PLC ±- 2 PLC ±- 3 PLC ±- ANGLES ±-		DWN A. WU 02-DEC-2005	tyco TYCO HOLDINGS (BERMUDA) Electronics VII LTD. TAIWAN BRANCH	
MATERIAL -	APVD W.J. KE 02-DEC-2005	CHK S. HOU 02-DEC-2005	NAME WIRE TO BOARD MALE HEADER, 1.25 MM PITCH, SMT, RIGHT ANGLE TYPE	
FINISH -	PRODUCT SPEC -	APPLICATION SPEC -	LOC DW	SIZE A ₃
	WEIGHT -		DRAWING NO C-1734261	REV A
			SCALE --	SHEET 2 OF 2